



GR215A

MOTOR GRADER

平地机

The motor grader is mainly used for ground leveling, ditching, slope scraping, bulldozing, scarification, snow removal for large areas such as highway, airports, farmlands etc. It is the necessary construction machinery for national defense construction, mine construction, urban and rural road construction and water conservancy construction, farmland improvement and so on.

平地机主要用于公路、机场、农田等大面积的地面平整和挖沟、刮坡、推土、松土、除雪等作业。是国防工程、矿山建设、城乡道路等建筑施工和水利建设、农田改良等所必须的工程机械。

Performance Characteristics / 性能特点

- GR215 AVII motor grade is powered by Dongfeng Cummins 6CTA8.3-C215 turbocharged diesel engine, featuring high torque output and power reserve coefficients and low fuel consumption.
- Take measures such as vibration elimination, sound absorption and sound insulation to reduce the internal and external noise of the cab.
- The double-circuit hydraulic brake system is applied to realize more reliable and stable braking.
- The steering load-sensing system is applied and the main hydraulic units adopt international products to guarantee the system stability and reliability.
- The XCMG's special enhanced working device is applied.
- The blade body adopts adjustable large slide slot and double sideway mechanism and the blade plates are made of wear-resistant high strength materials.
- The multiple optional parts expand the performance and working scope of machine.
- GR215 AVII平地机采用东康 6CTA8.3-C215 涡轮增压柴油机, 输出扭矩和功率储备系数大, 油耗低。
- 采取消振、吸声、隔声等措施, 降低驾驶室内部和机外辐射噪音。
- 双回路液制制动系统, 使制动更加可靠稳定。
- 转向负荷传感系统, 主要液压元件采用国际化配套, 保证系统的稳定性及可靠性。
- 采用徐工专用加强型工作装置。
- 铲刀体采用可调型大滑槽、双滑轨机构, 工作刀片采用高强耐磨材料。
- 多种选装件, 扩展了机器性能和工作范围。

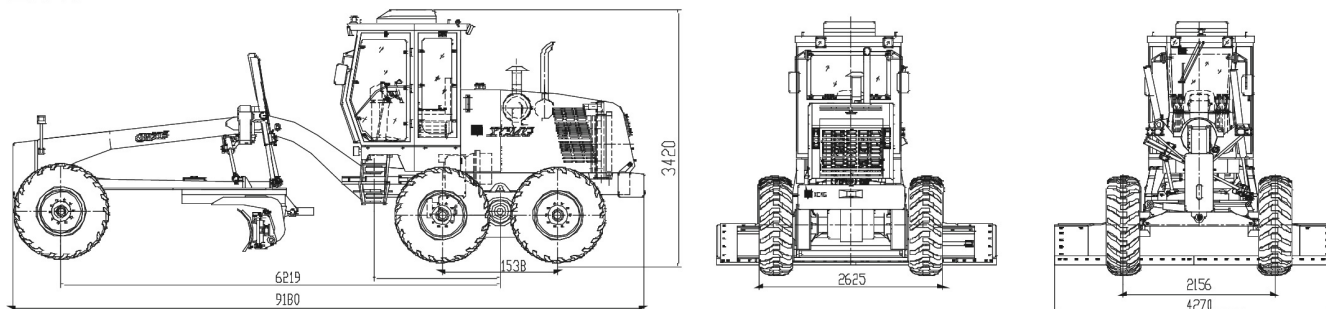
GR215A

MOTOR GRADER

平地机

Main Dimensions

主要尺寸



Main Specifications

主要技术参数

	Item	项目	单位 Unit	GR215A	
Basic parameters 基本参数	Engine model	发动机型号		6CTA8.3-C215	
	Rated power/speed	额定功率/转速	kW/rpm	160/2200	
	Overall dimension (standard)	整机外形尺寸 (标配)	mm	9180 × 2625 × 3420	
	Total weight (standard)	整机重量 (标配)	kg	16100	
	Tire specification	轮胎规格		17.5-25	
	Ground clearance (front axle)	离地间隙 (前桥)	mm	430	
	Tread	轮距	mm	2156	
	Space of front and rear axles	前后桥距	mm	6219	
Performance parameters 性能参数	Space of middle and rear wheels	中后轮距	mm	1538	
	Forward velocity	前进速度	km/h	5、8、11、19、23、38	
	Reverse speed	后退速度	km/h	5、11、23	
	Tractive effort f=0.75	牵引力f=0.75	kN	≥118	
	Maximum gradeability	最大爬坡能力	%	≥30	
	Inflation pressure of tires	轮胎充气压力	kPa	260	
	Working system pressure	工作系统压力	MPa	18	
	Transmission pressure	变速箱压力	Mpa	1.3—1.8	
Working parameters 工作参数	Maximum steering angle of front wheels	前轮最大转向角	°	±50	
	Maximum inclination angle of front wheels	前轮最大倾斜角	°	±17	
	Maximum swing angle of front axle	前桥最大摆动角	°	±15	
	Maximum swing angle of balance box	平衡箱最大摆动角	°	front15, rear 15	
	Maximum steering angle of frame	车架最大转向角	°	±27	
	Minimum turning radius	最小转弯半径	m	7.3	
	Blade	Maximum lifting height	最大提升高度	mm	450
		Maximum shoveling depth	最大铲土深度	mm	500
		Maximum lateral inclination angle	最大侧倾角度	°	90
		Cutting angle	切削角	°	28—70
Slewing angle		回转角	°	360	
Length × chord height		长度×弦高	mm	4270 × 610	
Oil filling amount 加注油量	Coolant	冷却液	L	50	
	Fuel tank	燃油箱	L	280	
	Engine	发动机	L	24	
	Transmission	变速箱	L	38	
	Balance box	平衡箱	L	46	
	Drive axle	驱动桥	L	28	
	Hydraulic oil	液压油	L	220	



Machmall.com is an electromechanical product platform officially launched by XCMG, aiming to provide global customers with a complete set of high-quality construction machinery solutions and supporting equipment.


Xuzhou Construction Machinery Group Co., Ltd. (XCMG Group), founded in 1943, is the fourth largest worldwide construction machinery manufacturer and the largest in China with products covering 183 countries and regions.

XCMG have 12 complete solutions:Crane lifting,Mining Construction,Earth-moving Solutions,Road Machinery,Concrete Equipment,Tunnel and Underground Space Construction,Mobile Elevating Work Platform (MEWP),Piling and Non-excavation Equipment,Transportation Equipment, Environmental Sanitation Equipment,Firefighting,Safety and Emergency Rescue



 <https://www.machmall.com/>

 machmall@xcmg.com

 0086 18652183963
86-516 8773 9797